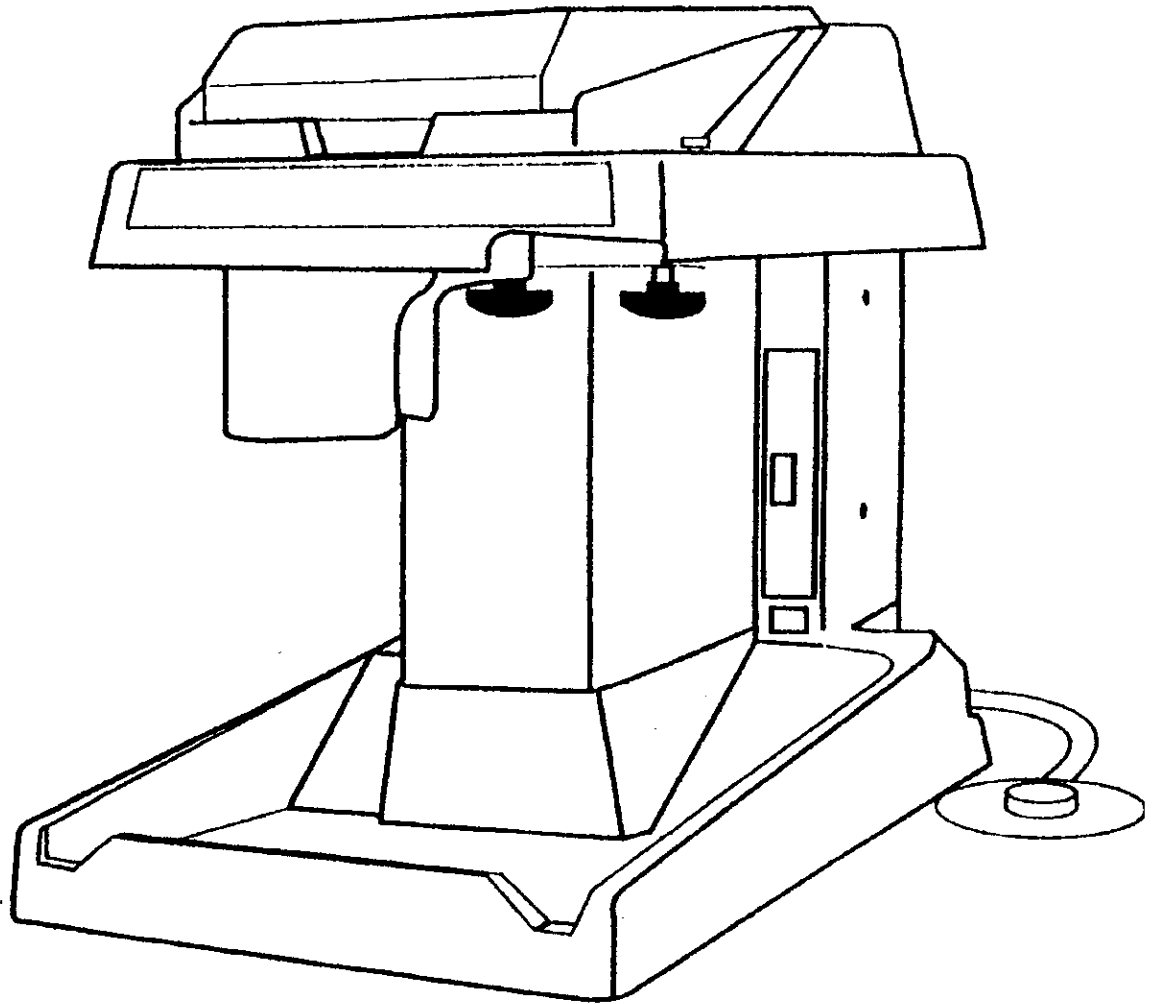


Microflake II Ice Shaver



WARNING:
DO NOT OPERATE YOUR MACHINE UNTIL YOU READ AND
UNDERSTAND THIS OWNER'S MANUAL



**Microflake II Ice Shaver
Limited Warranty**

All products manufactured by Echols Products of Bismark, Missouri are warranted for a period of one year, from the date of purchase, against defective parts or poor workmanship in the manufacture of such parts, except motors and engines.

To secure replacement, at no charge, on such parts coming under warranty by Echols, please return such parts to us through the dealer where the machine was purchased.

The motors and engines are covered by a separate warranty of one year by their manufacture, but not against improper use or motor burn out from overload. Motors and engines should be returned to the nearest service station of their manufacture.

Echols assumes no liability for shipping charges, damage caused by shipment, or damaged caused by improper use or accidental damage after equipment as left our factory.

Model 702 Microflake II Ice Shaver

Contents

Subject	Page
Notices & Trouble Shooting	3
Set-up	3
Operation	4
Blade Adjustment & Changing	4
Maintenance, Cleaning & Disassembly	5
Blade Assembly Drawing	5
Wiring Diagram	5
Parts List	6
Exploded Parts Drawing	7
General Information	8

Notices

Use only with a grounded outlet.

Do not remove grounding plug or otherwise render it ineffective.

Electrical: 115 Volt, 60 Hz., 3 Amp. or 208 Volt, 50 Hz., 3 Amp.

Motor: 373 RPM, 1/6 HP, direct drive gearmotor.

Always disconnect power prior to maintenance or cleaning.

Protect all electrical connections & accessories from water.

Be sure all operators read & understand these instructions prior to use.

Use only Echols replacement parts.

Set-up

1. Remove all parts from packing box. You should have:
 - A. One Microflake II
 - B. One footswitch
 - C. One extra blade.
2. Place the machine in the desired location. It should be sturdy because the machine vibrates while in use.
3. Run the clear drain hose (on bottom of machine) to a drain or a bucket. Be sure the drain hose is not kinked and water can flow freely.

Before operating: Open top to be sure hopper is free of obstructions. Turn impellor to be sure it does not rub and it turns freely.

4. Plug the footswitch into outlet.
5. Plug machine into the footswitch plug.
6. Turn on/off switch to "on".

Troubleshooting

Excessive Vibration: Unplug. Open top & make sure ice is evenly distributed.

Won't Start: Be sure it's plugged in. Check reset switch. Check all breakers or fuses. Make sure top lid is closed.

Hums; Won't Run: Unplug. Check impellor & see if it turns freely. Check electrical circuit for overload or long extension cords.

Blade won't stay adjusted: Tighten adjustment arm knob.

Won't Shave: Check blade adjustment.

Reset Kicks out repeatedly: Check circuit for overload. Check impellor to see if it turns freely.

Snow Chute Clogging: Ice is too hard. Blade needs adjusting.

Poor Ice Quality: Check blade adjustment. Change blade.

Operation

1. Open top
2. Pour in ice cubes. Be sure cubes are broken up before using.
3. Close top. (Will not run with top up).
4. Hold serving cup all of the way up the ice chute.
5. Depress foot switch.
6. As ice is processed, lower the serving cup slowly and rotate to form ice.
7. Add flavor and serve.

Important Tips:

Machine shaves ice best when the hopper is full.

The highest quality of shaving result when ice is slightly soft (cubes should be clear and just starting to melt). Do not use hard frozen ice direct from freezer.

Blade Adjustment & Changing

Adjustment:

1. Set adjustment arm to finest setting.
2. Remove 2 acorn nuts from the blade tripod.
3. With small screwdriver, turn the adjustment screws until desired quality of shaving is obtained.

Important: Adjustment screws should be set the same so that the blade is level.

4. Tighten adjustment arm knob (the one on the far right) to lock the adjustment arm.
5. Replace acorn nuts to lock adjustment screws into position.

Changing Blade:

1. Grasp snow chute firmly with left hand and loosen tripod knob (The one in the center of the machine) with right hand.
2. Carefully lower the blade tripod and snow chute from the machine. (Observe how it all fits together).
3. Set aside the snow chute, washers and spring.
4. Remove blade from tripod and attach new blade.
5. Using both hands, place washer, spring, rectangular washer and snow chute over knob and through tripod hole and raise into position.
6. Tighten tripod knob as tight as possible.
7. Check blade adjustment and adjust if necessary.

Maintenance, Cleaning & Disassembly

Maintenance:

Occasionally place a drop of food safe grease on the blade adjustment arm to insure easy action.

Cleaning:

Blade assembly should be removed and cleaned regularly.
Use non-abrasive cleaner on all plastic.

Disassembly:

Bottom plastic just lifts off.

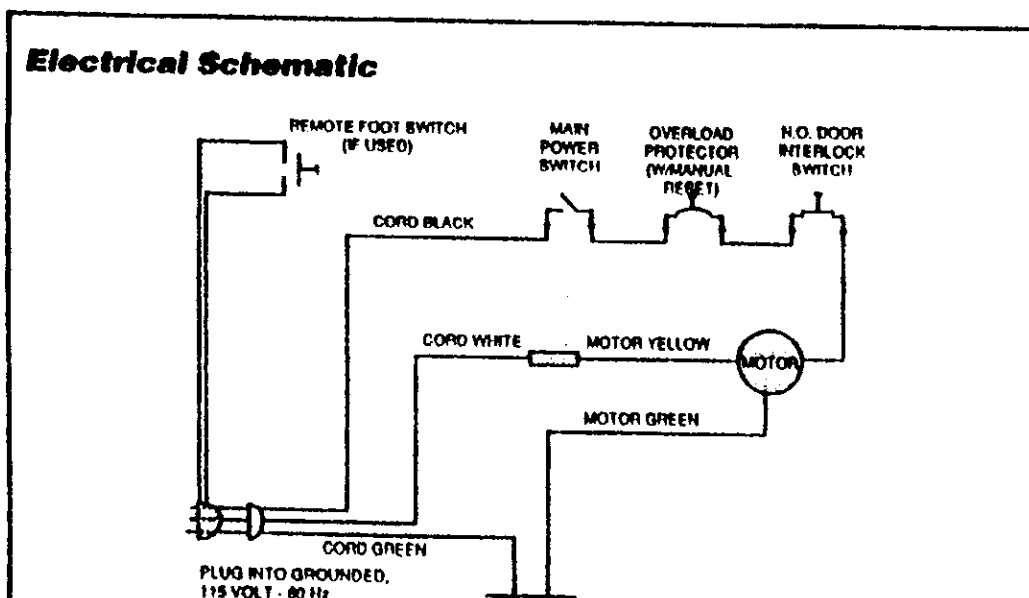
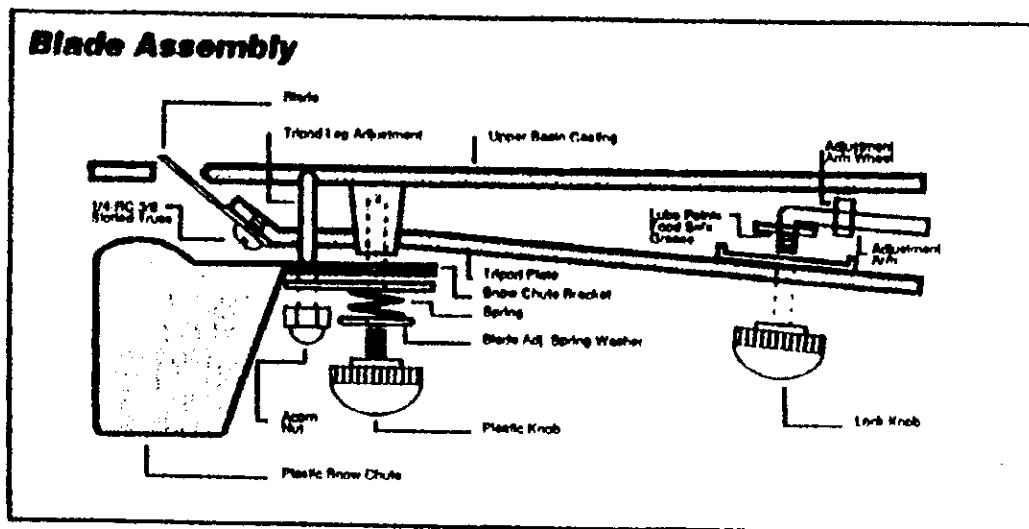
Top can be lifted off upon removal of hinge pin.

Impellor guard taken off by removing four finger bolts.

Front & back plastic can be removed with 6 screws (3 on either side) removed.

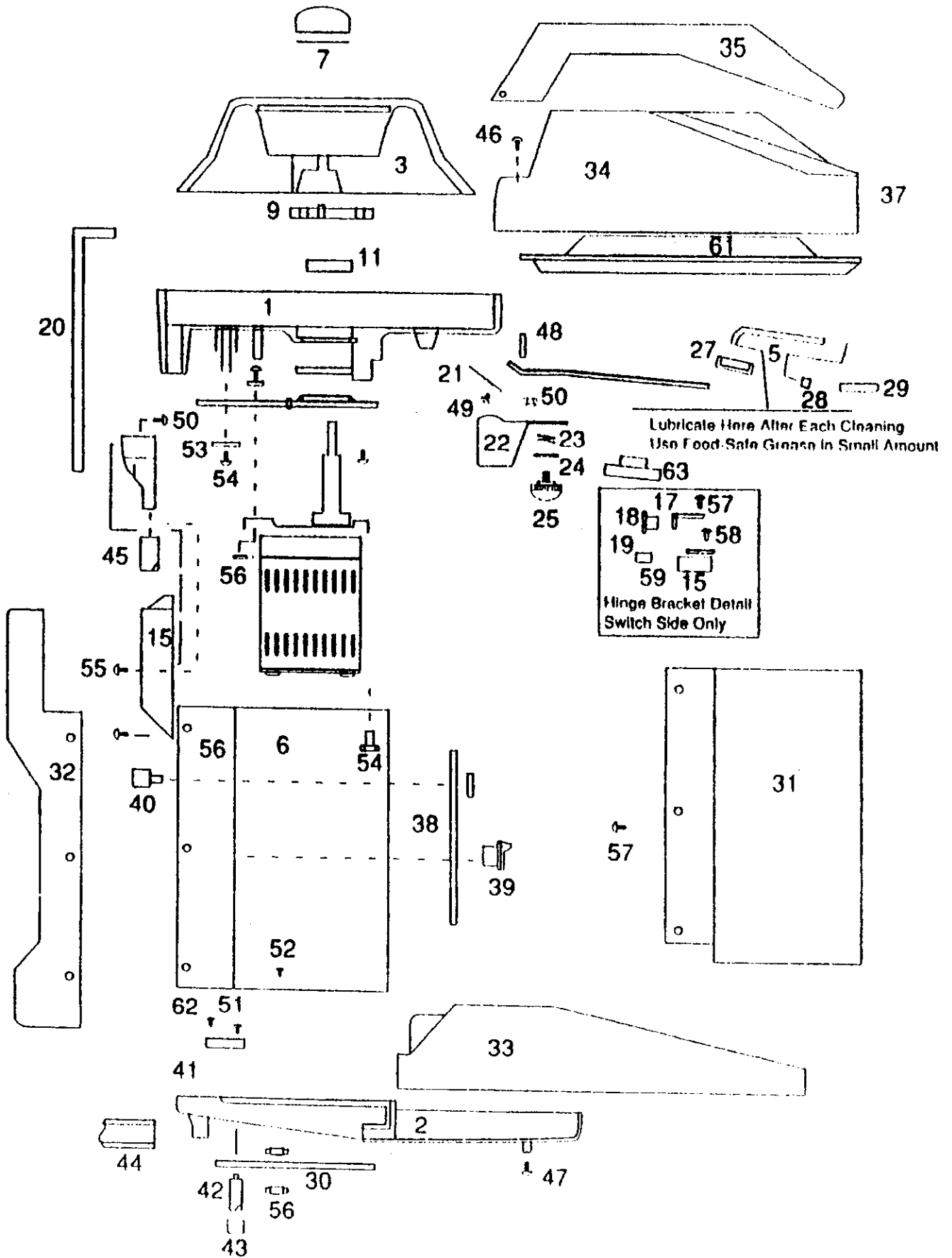
Impellor can be removed by loosening & removing impellor cap nut (aluminum 2" nut in center of impellor).

Further disassembly should not be attempted by untrained personnel.



1	7201	1	Upper Basin Casting
2	7202	1	Drain Basin Casting
3	7203	1	Impeller Casting
4	7204	1	Tripod Plate
5	7248	1	Adjustment Arm
6	7206	1	Aluminum Post
7	7207	1	Cap Nut
9	7208	1	Drive Nut
11	7247	1	Stainless Steel Bearing
12	7241	1	Slinger Washer
13	7211	1	Motor Adapter Plate
14	7260	1	Motor
15	7209	1	Hinge Bracket-Switch Side
16	7210	1	Hinge Bracket-Left Side
17	7227	1	Interlock Switch Cover
18	23SB20535006	1	Plastic Snap Bushing
19	7244	1	Door safety switch
20	7215	1	Hinge Pin
21	7200	1	Blade
22	7212	1	Snow Chute Bracket
23	7256	1	Spring
24	7246	1	Blade Adjustment Spring Washer
25	7255	1	Plastic Knob (Black)
27	7213	1	Adjustment Arm Track
28	7214	1	Adjustment Arm Wheel
29	7240	1	Vinyl Adjustment Arm Cover
30	7228	1	Lower Cover/Air Vent
31	7218	1	Plastic Post Cover
32	7219	1	Rear Cover
33	7217	1	Plastic Drain Basin
34	7221	1	Upper Cover
35	7222	1	Plastic Lid
36	7220	1	Plastic Drain Box
37	7242	1	Upper Label
38	7243	1	Switch Label
39	7250	1	Main Power Switch
40	7245	1	Motor Overload Protector w/ nut
41	7251	1	Power Cord Plate
42	16/3SJTPC	1	Power Cord
43	234SR12076P34	1	Strain Relief
44	7252	1	Lower Drain Hose
45	7253	1	Upper Drain Hose
46	832016TS	6	Plastic Knob-Upper
47	7249	4	Suction Cup Feet w/ Screw
48	7254	2	Tripod Leg
49	1420012T	5	Truss Head Slotted SS MS 1/4-20 x 3/8
50	1420ACN	4	Acorn Nut
51	832012	1	Panhead Machine Screw 8-32 x 3/8
52	14200024	6	Hex Head Cap Screw SS 1/4-20 x 3/4
53	51600045	6	Stainless Steel Washer 5/16
54	14200016	8	Hex Head Cap Screw SS 1/4-20 x 1/2
55	1420016R	5	Round Head Slotted SS MS 1/4-20 x 1/2
56	1420NUT	16	Hex Nuts SS 1/4-20
57	832012T	7	Truss Head Slotted SS MS 8-32 x 3/8
58	44000020	2	Truss Head Slotted SS MS 4-40 x 5/8
59	440NUT	2	Hex Nut SS 4 10
60	14200032	4	Hex Head Cap Screw SS 1/4-20 x 1
61	7257	1	Plastic Water Guard
62	83208H	1	Grounding Screw (Green) 8-32 x 1/4
Hex MS 63	7258	1	Lock Knob (for tripod plate)
64	7265	1	Plastic Snow Chute

Parts Drawing for Model 702 Ice Shaver



Customer Service Hours

Our office hours are 8:30 a.m. to 5:00 p.m. (Central Time) Monday through Friday. An answering machine is in use all other times.

Warranty

Our limited warranty covers defects in craftsmanship and materials on all our products. There is a one-year warranty on motors from the motor manufacturers.

Damages or shortages

We recommend that you do not sign the delivery receipt until after inspecting the product(s). Claims can be filed to us if a shortage is observed, but only when it has been noted on the delivery receipt.

Return

Unless it is our error, we will charge a 20% restocking charge on product(s) returned. Contact us for a return authorization form and ship freight prepaid.



ECHOLS
1001 ECHOLS STREET
BISMARCK, MO 63624-9095
PHONE (573) 734-2210 , (800) 840-6166, FAX (573) 734-6454

effective:
April 1,2001

**702 MICROFLAKE CUBE ICE SHAVER
PARTS PRICE LIST**

<u>PART #</u>	<u>DESCRIPTION</u>	<u>LIST PRICE</u>
1589	CAUTION MOVING PARTS LABEL	1.34
1597	POWER CORD	8.39
2022	SET SCREW 8-32 x 1/4	0.28
2355	LIQUID LIGHT STRAIN RELIEF	3.56
2404	16 UL1 015 WIRE BLACK	1.87
2405	16 UL1 015 WIRE GREEN	1.87
2406	16 ULI 015 WIRE WHITE	1.87
2808	PLAID MICROFLAKE LABEL 2 3/8 X 14	8.17
4871	PLASTIC SNAP BUSHING	0.47
7200	BLADE	24.43
7201	MICROFLAKE 11 UPPERBASIN	230.26
7202	MICROFLAKE 11 DRAINBASE	160.83
7203	MICROFLAKE 11 IMPELLER	106.63
7204	TRIPOD PLATE	9.65
7206	ALUMINUM POST	109.93
7207	IMPELLER CAP NUT	20.33
7208	DRIVE NUT	23.71
7209	HINGE BRACKET - SWITCH SIDE	17.77
7210	HINGE BRACKET - LEFT SIDE	13.47
7212	SNOW CHUTE BRACKET	5.49
7213	ADJUSTMENT ARM TRACK	13.47
7214	ADJUSTMENT ARM WHEEL	2.92
7215	DOOR HINGE PIN	10.11
7217	PLASTIC DRIAN BASIN	69.44
7219	PLASTIC REAR COVER	52.56
7220	PLASTIC DRAIN BOX	27.08
7221	PLASTIC UPPER COVER	69.41
7222	PLASTIC LID	54.18
7227	LID SWITCH COVER	8.47
7228	LOWER COVER/AIR VENT	16.97
7240	VINYL COVER ADJUSTMENT ARM 702	5.16
7241	SLINGER WASHER	1.27

REVISED 4/1/01

effective:
April 1,2001

702 MICROFLAKE CUBE ICE SHAVER PARTS PRICE LIST

<u>PART #</u>	<u>DESCRIPTION</u>	<u>LIST PRICE</u>
7242	UPPER LABEL 1 1/2 X 12	5.58
7243	NAME SWITCH LABEL	3.13
7244	DOOR SAFETY SWITCH	12.15
7245	MOTOR OVERLOAD PROTECTOR	27.08
7247	BEARING STAINLESS STEEL	54.18
7249	SUCTION CUP FEET	1.73
7250	MAIN POWER SWITCH ON/OFF	5.10
7251	POWER CORD PLATE	9.95
7252	UPPER DRAIN HOSE	1.73
7253	LOWER DRAIN HOSE	2.95
7254	BLADE ADJUSTMENT SCREW	3.47
7256	TRIPOD SPRING	3.45
7257	IMPELLER WATER GUARD	44.06
7258	LOCK KNOB FOR TRIPOD PLATE	3.35
7260	FRANKLIN MOTOR	382.68
7265	SNOW CHUTE	19.57
7270	THRUST COLLAR	5.59
7271	POWER SWITCH DPST	16.38
7281	ALUMINUM POST	109.92
7282	MOTOR ADAPTER PLATE	16.47
7283	DRAIN BASIN COVER	89.06
7284	POST COVER	71.68
7287	BODINE GEARMOTOR	461.81
7291	ELECTRIC FOOT SWITCH	52.22
7300	MICROFLAKE 11 BOX	20.98
7200-1A	MICROFLAKE BLADE ASSEMBLY	102.39
7218	PLASTIC POST COVER	78.07
832016TS	THUMB SCREW 8 - 32 x 1/2	0.93
P51618 SET	5/16-18x3/8 HEX SCREW SET	0.93
7248	Adjustment Arm	22.65

REVISED 4/1/01