

Shav-A-Doo

Instruction Manual

Model No. 1803, 1803EX, 1903






 **GOLD MEDAL**®

FUNFOOD EQUIPMENT AND SUPPLIES

Cincinnati, OH 45241-4807 USA

SAFETY PRECAUTIONS

| | |
|---|---|
|  | <p style="text-align: center;">⚠ WARNING</p> <p>Never put your fingers or any object into the shaver body (the goose-neck) while the motor is running. Serious injury may occur. <i>(Gold Medal Products does not assume any liability for injury due to careless handling and/or reckless operation of this equipment).</i></p> |
|  | <p style="text-align: center;">⚠ WARNING</p> <p>Always wear safety glasses when servicing this equipment.</p> |
|  | <p style="text-align: center;">⚠ WARNING</p> <p>Any alterations to this equipment will void the warranty and may cause a dangerous situation. NEVER make alterations to the equipment. Make sure all machine switches are in the OFF position before plugging the equipment into a receptacle.</p> |
|  | <p style="text-align: center;">⚠ CAUTION</p> <p>This equipment is designed and sold for commercial use only. This equipment is not to be used by the consumer in home use. Do not allow direct contact of this equipment by the public when used in food service locations. Only personnel trained and experienced in the equipment operation may operate this equipment. Carefully read all installation instructions before operating the equipment.</p> |
|  | <p style="text-align: center;">⚠ DANGER</p> <p>Machine must be properly grounded to prevent electrical shock to personnel. Do NOT immerse the kettle, warmer, or any other part of this equipment in water. Always unplug the equipment before cleaning or servicing.</p> |
|  | <p style="text-align: center;">⚠ CAUTION</p> <p>This machine is not to be operated by minors. A minor is defined by any person under the age of 18.</p> |

NOTE

The information, specifications and illustrations contained in this manual represent the latest data available at time of publication. Right is reserved to make changes as required at the discretion of Gold Medal Products Company without notice.

INSTALLATION INSTRUCTIONS

Inspection Of Shipment

Unpack all cartons and check thoroughly for any damage that may have occurred during transit. Damage claims should be filed immediately with the transportation company.

Setup


Your new Shav-A-Doo is completely assembled and tested at the factory. Remove all packing material and tape before starting operation.

Electrical Requirements

The following power supply must be provided:

Model numbers 1803 and 1903: 120 VAC, 60 Hz. 6.8 Amp

Model number 1803EX: 230 VAC, 50 Hz. 4.0 Amp

| | |
|--|--|
|  | ⚠ DANGER |
| | Machine must be properly grounded to prevent shock in case of electrical problems. Wall receptacle must be wired as shown on the receptacle. Failure to wire properly will void the warranty and can result in damage to motors, elements, relay, lights, etc. |

Your electrician must furnish sufficient power for proper machine operation. We recommend this shaver be on a dedicated and protected circuit. Failure to wire properly will void the warranty and may result in damage to the machine.

It is **Gold Medal®** Products Company's recommendation that this machine be plugged directly into a wall outlet. The use of extension cords is not recommended due to safety concerns, and may cause sacrificed and/or reduced performance.

Before You Plug In the Machine

1. Make sure the wall outlet can accept the grounded plugs (where applicable) on the power supply cord.
2. The wall outlet must have the proper polarity. If in doubt, have a competent electrician inspect the outlet and correct if necessary.
3. **DO NOT** use a grounded to un-grounded receptacle adapter.



GENERAL INSTRUCTIONS

To Operate the Shav-A-Doo

1. Load hopper with Ice.
2. Close pusher handle, and apply gentle downward pressure.
3. Turn on the power switch.
4. Press and hold in the “Push to shave ice” button. Release the button once all of the ice has been shaved.
5. Do not lift the pusher handle until the motor is off and the shaver head has stopped.

NOTE: Never allow any foreign or metallic objects around the shaver area of the Shav-A-Doo. Ice picks, scoops, and debris that may be in the ice often damage blades.

Ice Requirements

The Shav-A-Doo can take ice cubes or block ice, if you break the block into pieces approximately 3 to 4 inches in size.

NOTE: The ice will not enter the shaving chute if the pieces are too large.

Daily: Cleaning the Ice Shaver

1. Wipe the aluminum parts with a clean cloth and cleaner designed for aluminum. **DO NOT use oven cleaners, as they will damage parts of the machine.**
2. Ammonia cleaners will damage the Lexan Windows. Use only non-ammonia cleaners, such as **Gold Medal® Watchdog Glass Cleaner** (item number 2588).

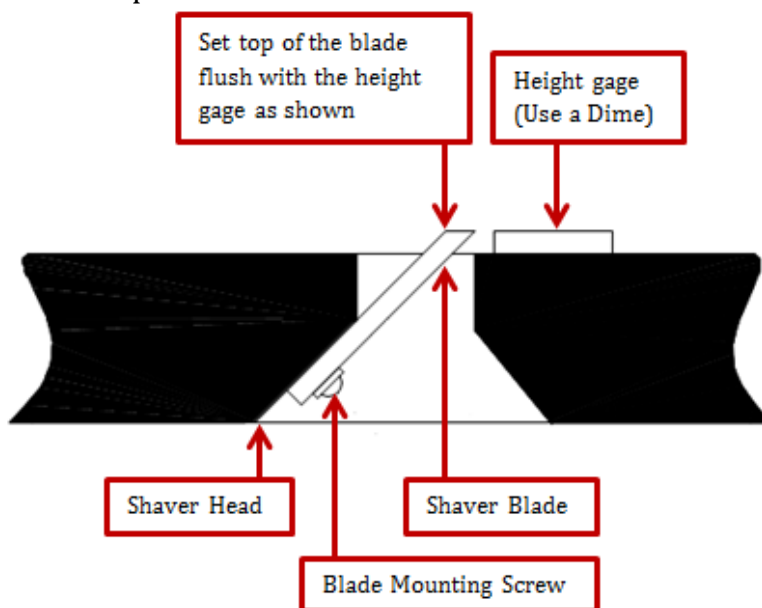
INSTALLING NEW SHAVER BLADES

MAKE SURE TO UNPLUG THE MACHINE FIRST. After having unplugged the machine, inspect your equipment before replacing the blades. Use a flashlight to examine the blades in the shaver body. If the blades appear to be nicked or bent, then the blades should be replaced.


Follow This Procedure

1. Unplug the main power supply cord from the electrical outlet.
2. Remove the shaver head from the motor shaft by loosening the Allen head set screws. (Access to the set screws may be between the hopper and motor or from the underside opening of the hopper inside the cabinet).
3. Remove the shaver head. Pull the shaver head off of the motor shaft and through the hopper. If the shaver head is frozen onto the shaft, remove the hold down bolts on the motor. Pull the motor back, trapping the shaver head against the inside of the hopper, until the shaver head disengages.
4. After removing the shaver head, check the motor shaft for burrs and corrosion. Use a fine tooth file to remove the burrs and corrosion.
5. Remove the blades from the shaver head. These blades may be re-sharpened, but it is far better to replace the old blades with a new set.
6. Position the new blades and insert screws until they are finger tight.
7. Set the blade thickness equal to a dime. (See illustration below.) Make sure that the height is even across the shaver head.
8. Tighten the blade screws completely. Check the blades again with a dime to ensure the blades did not move while tightening the screws.
9. Replace the motor and shaver head. Mount the motor using the hold down bolts. Insert the shaver head through the hopper and onto the motor shaft. Press the shaver head onto the motor shaft with the pusher handle, and then move the shaver head in another 1/8". Check that the shaver head is not rubbing against the back of the hopper and the blades are not touching the pusher handle or sides of the hopper.
10. Tighten the set screws in the shaver head.

NOTE: Replace the shims that were between the motor base and the mounting surface.



MAINTENANCE INSTRUCTIONS

| | |
|---|---|
|  | <p style="text-align: center;">⚠ WARNING</p> <p>Adequate eye protection must be used when servicing this equipment to prevent the possibility of injury.</p> |
|  | <p style="text-align: center;">⚠ CAUTION</p> <p>THE FOLLOWING SECTIONS OF THIS MANUAL ARE INTENDED ONLY FOR QUALIFIED SERVICE PERSONNEL WHO ARE FAMILIAR WITH ELECTRICAL EQUIPMENT. THESE ARE NOT INTENDED FOR THE OPERATOR.</p> |
|  | <p style="text-align: center;">⚠ DANGER</p> <p>DO NOT immerse this machine in water! Unplug your machine before servicing or cleaning.</p> |



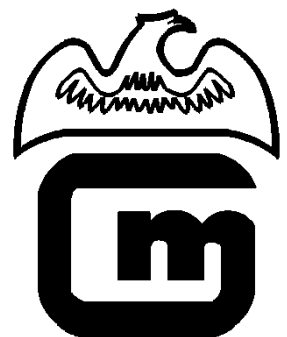
ORDERING SPARE PARTS

1. Identify the worn or broken part by checking it with the illustrations and parts list.
2. When ordering parts, include part number, part name, and quantity required.
3. Include your model name and machine serial number (found on nameplate) with your order.
4. Address orders to:

Parts Department
Gold Medal Products Co.
10700 Medallion Drive
Cincinnati, Ohio 45241-4807

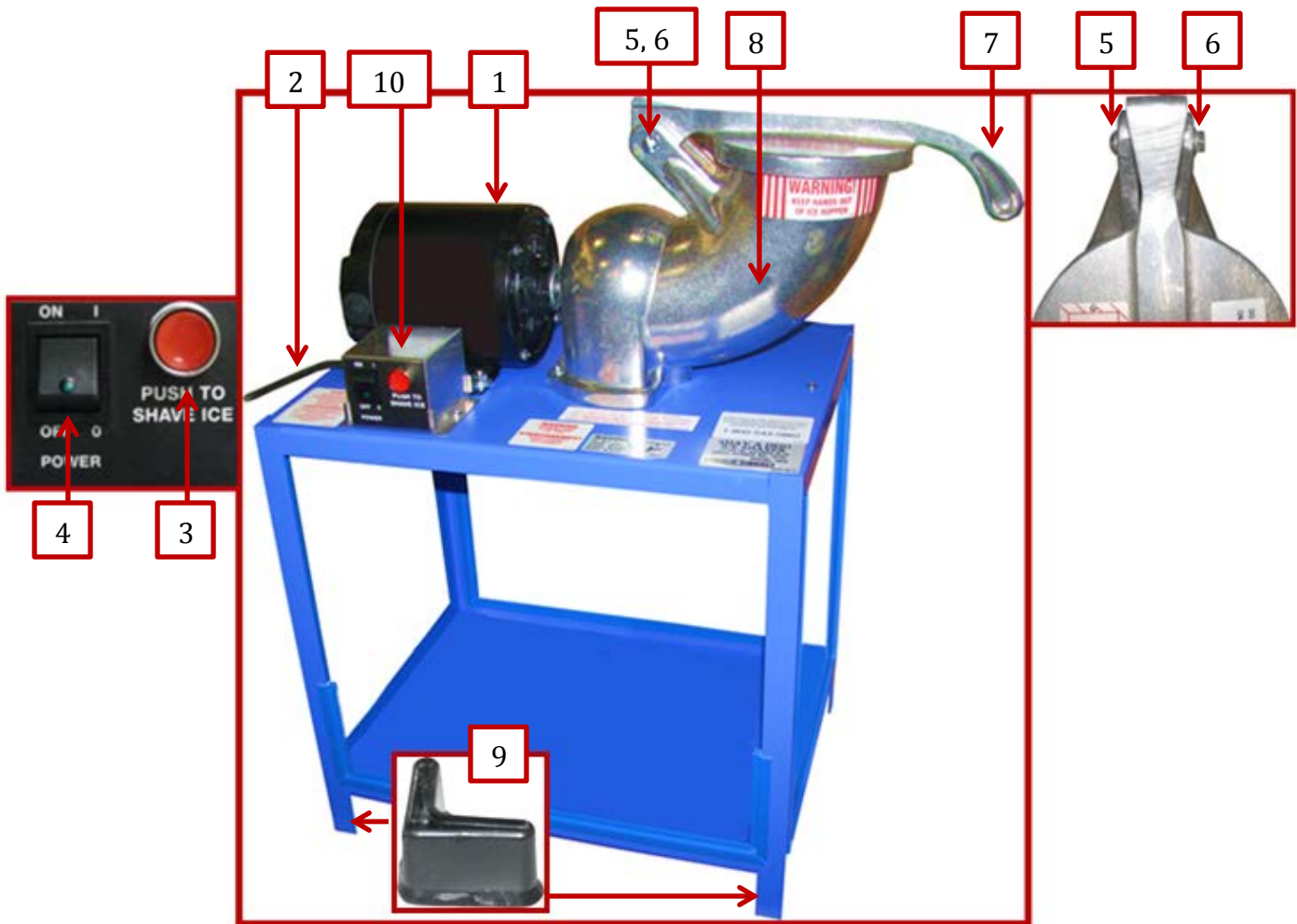
Or place orders at:

(800) 543-0862
(513) 769-7676
Fax: (513) 769-8500
E-mail: info@gmpopcorn.com
www.gmpopcorn.com



PARTS BREAKDOWN

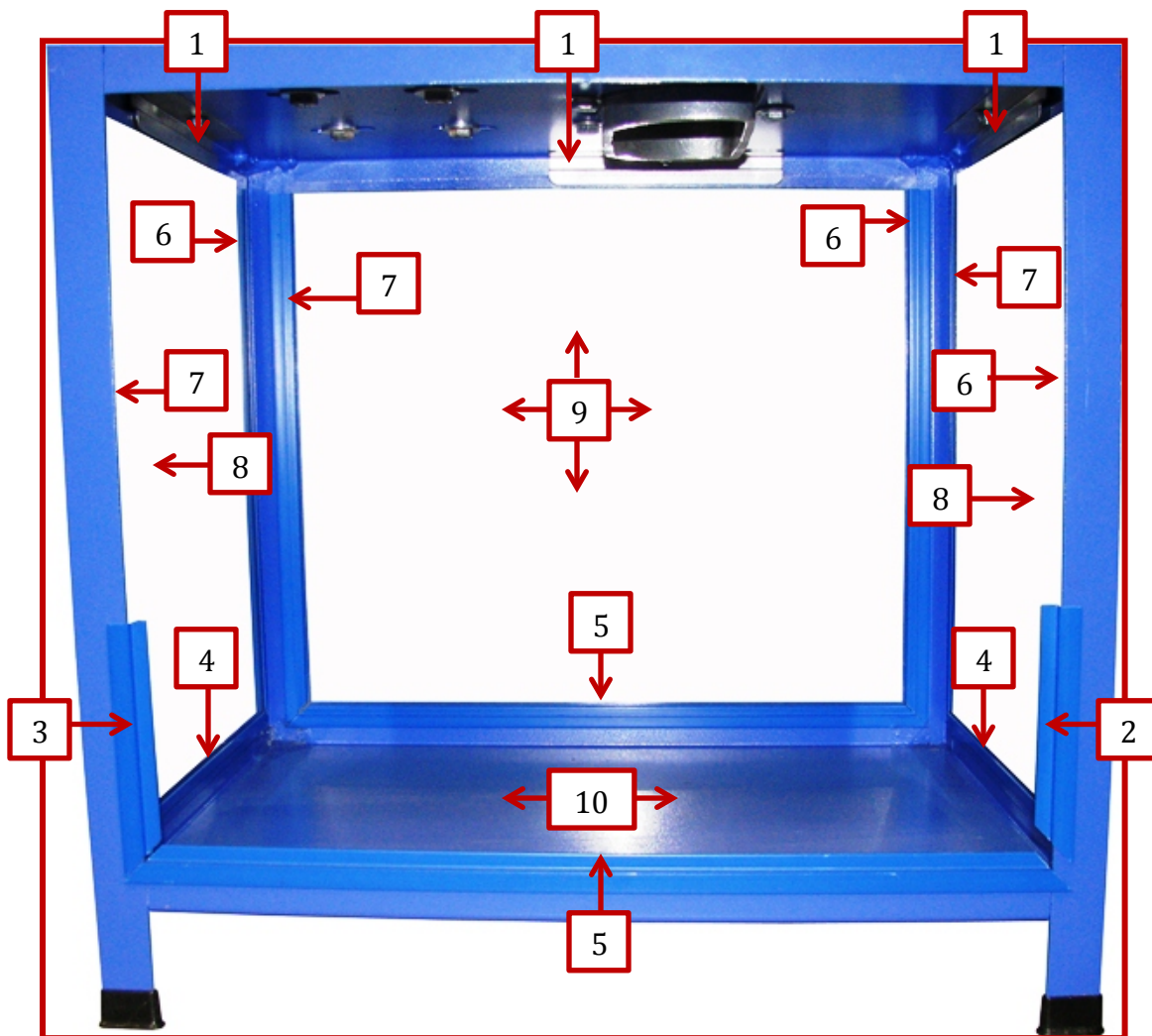
Model No. 1803, 1803EX Shav-A-Doo (Pg. 8-9)



| Item | Part No. | Model | Description | Quantity |
|------|----------|-------------|--|----------|
| 1 | 55448 | 1803 | 1/4 HP Motor | 1 |
| | 39022EX | 1803EX | Export 1/3 HP 60/50 Hz Motor | 1 |
| 2 | 22038 | 1803 | Lead-In Cord, 15 Amp Plug | 1 |
| | 42369 | 1803EX | Export Power Supply Cord | 1 |
| 3 | 38971 | 1803/1803EX | Momentary Switch | 1 |
| 4 | 42798 | 1803/1803EX | Lighted Rocker Switch | 1 |
| 5 | 22062 | 1803/1803EX | 5/13 x 2 Bolt | 1 |
| 6 | 49132 | 1802/1803EX | 5/16 - 18 Nut | 1 |
| 7 | 22005 | 1803/1803EX | Pusher Handle | 1 |
| 8 | 22009 | 1803/1803EX | Hopper Casting | 1 |
| 9 | 12453 | 1803/1803EX | Iron Angle Glide | 4 |
| 10 | 12423 | 1803/1803EX | Control Box | 1 |
| 11 | 76026 | 1803/1803EX | Strain Relief (Behind the Control Box) | 2 |

PARTS BREAKDOWN

Model No. 1803, 1803EX Shav-A-Doo (Continued)

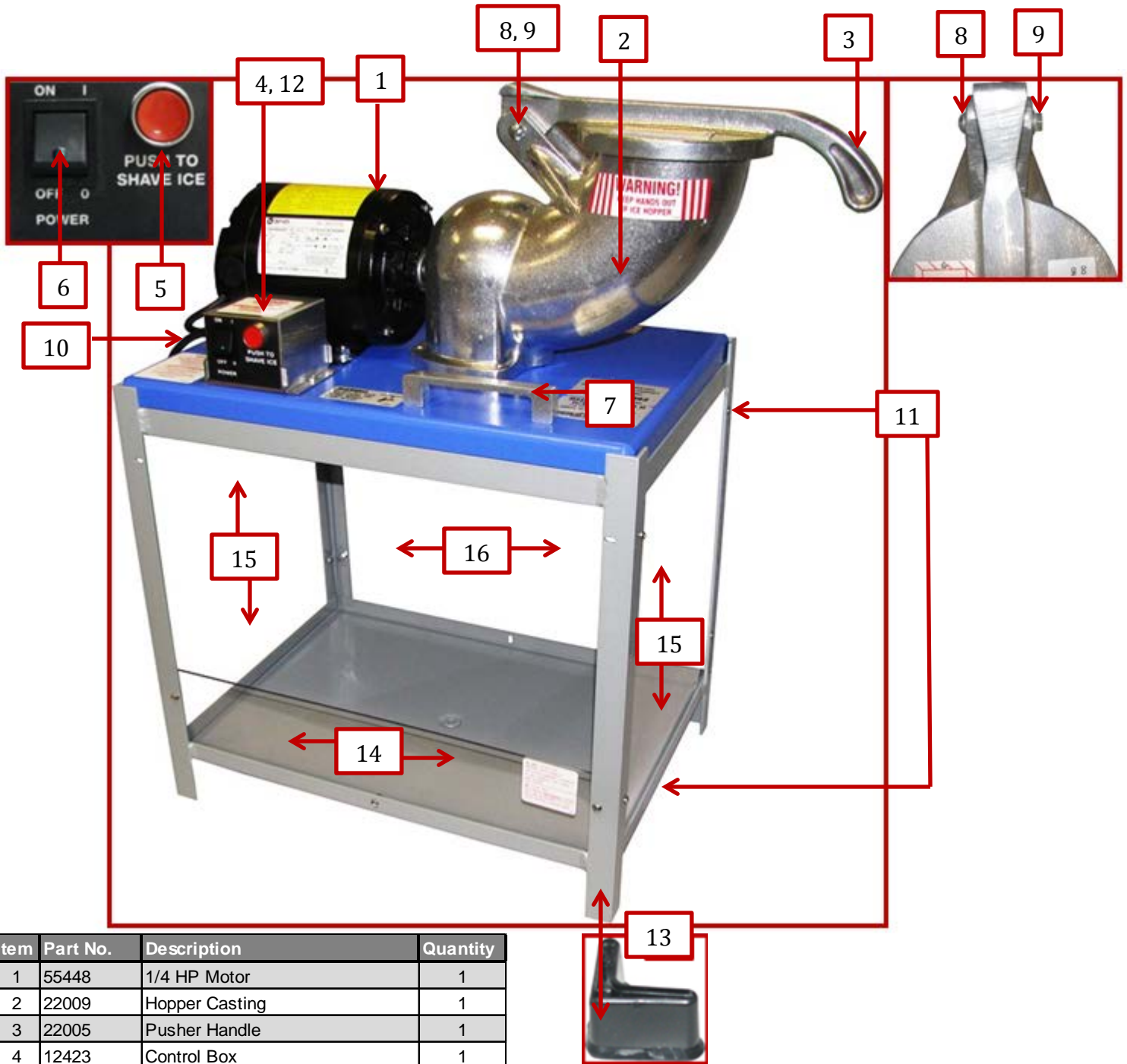


| Item | Part No. | Model | Description | Quantity |
|------|----------|-------------|----------------------------|----------|
| 1 | 17676 | 1803 | Window Clip | 3 |
| 2 | 68019R | 1803/1803EX | Right Side Rear Ret. Strip | 1 |
| 3 | 68019L | 1803/1803EX | Rear Side Panel Ret. Strip | 1 |
| 4 | 68018 | 1803/1803EX | Bottom Side Ret. Strip | 2 |
| 5 | 68017 | 1803/1803EX | Front Bottom Ret. Strip | 2 |
| 6 | 68016L | 1803/1803EX | Left Side Panel Ret. Strip | 3 |
| 7 | 68016R | 1803/1803EX | Side Panel Ret. Strip | 3 |
| 8 | 67980 | 1809/1803EX | Side Panel | 2 |
| 9 | 67981 | 1803/1803EX | Front Panel | 1 |
| 10 | 67982 | 1803/1803EX | Rear Panel | 1 |



PARTS BREAKDOWN

Model No. 1903 Shav-A-Doo II

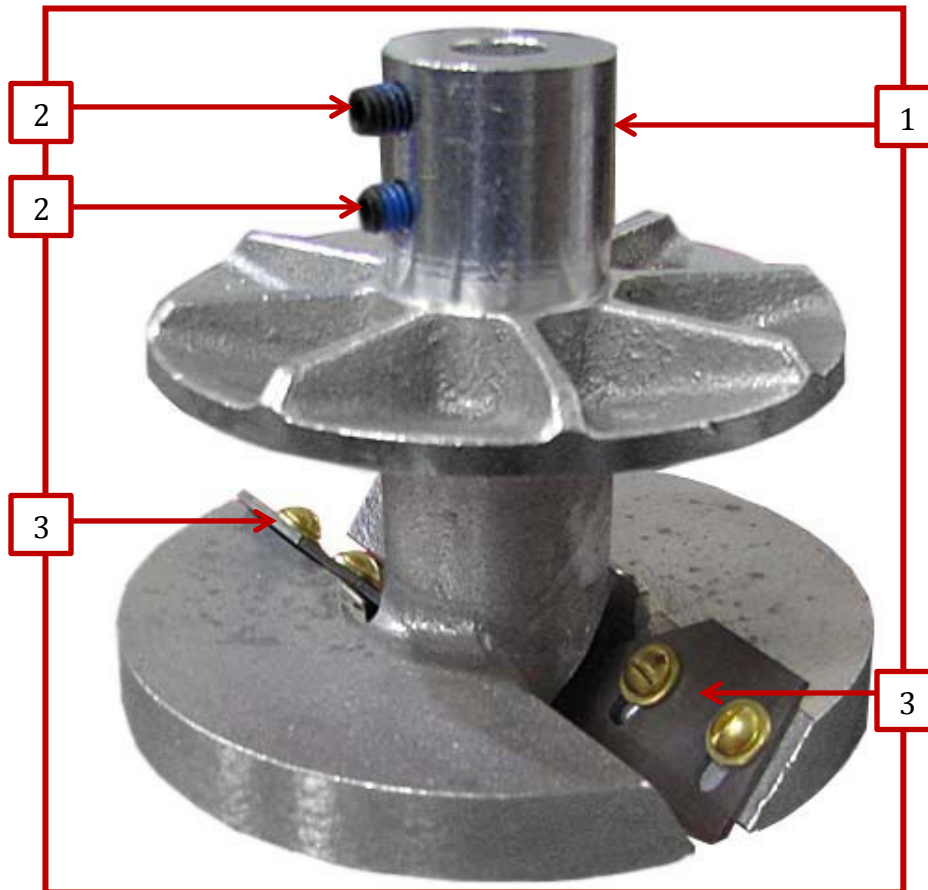


| Item | Part No. | Description | Quantity |
|------|----------|------------------------------------|----------|
| 1 | 55448 | 1/4 HP Motor | 1 |
| 2 | 22009 | Hopper Casting | 1 |
| 3 | 22005 | Pusher Handle | 1 |
| 4 | 12423 | Control Box | 1 |
| 5 | 38971 | Momentary Switch | 1 |
| 6 | 42798 | Lighted Rocker Switch | 1 |
| 7 | 67069 | Handle | 2 |
| 8 | 22062 | 5/13 x 2 Bolt | 1 |
| 9 | 49132 | 5/16 - 18 Nut | 1 |
| 10 | 22038 | Lead-In Plug / 15 Amp Plug | 1 |
| 11 | 11106 | Cabinet Weldment | 1 |
| 12 | 76026 | Strain Relief (Behind Control Box) | 2 |

| Item | Part No. | Description | Quantity |
|------|----------|------------------|----------|
| 13 | 12453 | Iron Angle Glide | 4 |
| 14 | 12452 | Rear Panel | 1 |
| 15 | 12530 | Side Panel | 2 |
| 16 | 12531 | Front Panel | 1 |

SHAVER HEAD

Part No. 22015

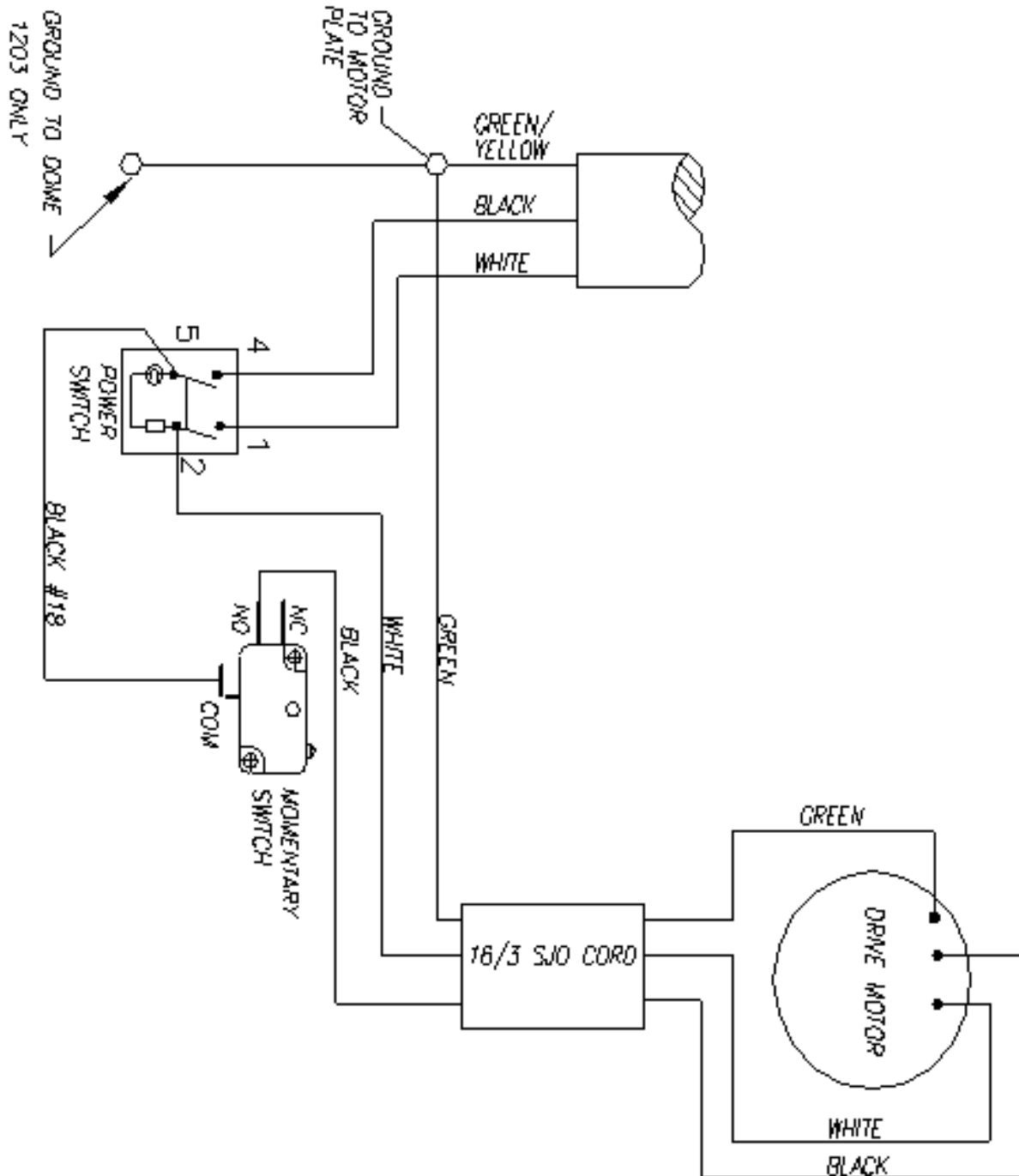


| Item | Part No. | Description | Quantity |
|------|----------|--|----------|
| 1 | 22015 | Shaver Head | 1 |
| 2 | 74127 | 1/4-20 x 3/8 Set Screw | 1 |
| 3 | 22017 | 2 Hole Blade Replacement Set (With Screws) | 1 |
| 4 | 1088 | Plastic Dipper (Accessory) | 1 |



Electrical Schematic

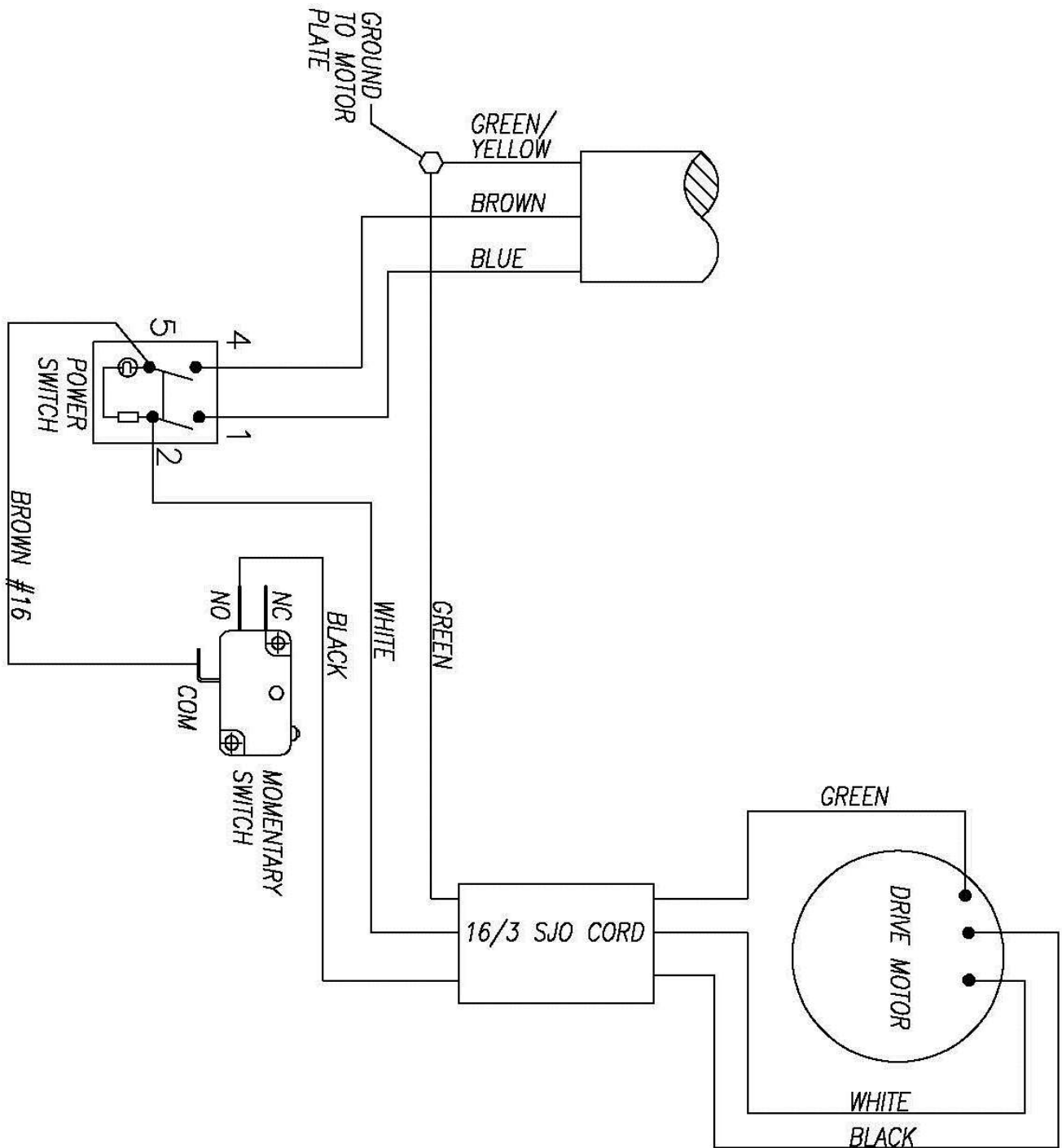
Model No. 1803, 1903





Electrical Schematic

Model No. 1803EX





WARRANTY

WE WARRANT to the original purchaser the Gold Medal equipment sold by us to be free from defects in material or workmanship under normal use and service. Our obligation under this warranty shall be limited to the repair or replacement of any defective part for a period of six (6) months from the date of sale to the Original Purchaser with regard to labor and two (2) years with regard to parts and does not cover damage to the equipment caused by accident, alteration, improper use, voltage, abuse, or failure to follow instructions.

THIS WARRANTY IS IN LIEU OF ALL OTHER WARRANTIES EXPRESSED OR IMPLIED, AND OF ALL OTHER OBLIGATIONS OR LIABILITIES ON OUR PART, INCLUDING THE IMPLIED WARRANTY OF MERCHANTABILITY. THERE ARE NO WARRANTIES WHICH EXTEND BEYOND THE DESCRIPTION ON THE FACE HEREOF. We neither assume, nor authorize any other person to assume for us, any other obligation or liability in connection with the sale of said GOLD MEDAL equipment or any part thereof.

The term "Original Purchaser" as used in this warranty shall be deemed to mean that person, firm, association, or corporation who was billed by the GOLD MEDAL PRODUCTS COMPANY, or their authorized distributor for the equipment.

THIS WARRANTY HAS NO EFFECT AND IS VOID UNLESS THE ORIGINAL PURCHASER FIRST CALLS GOLD MEDAL PRODUCTS COMPANY AT 1-800-543-0862 TO DISCUSS WITH OUR SERVICE REPRESENTATIVE THE EQUIPMENT PROBLEM, AND, IF NECESSARY, FOR INSTRUCTIONS CONCERNING THE REPAIR OR REPLACEMENT OF PARTS.

NOTE: This equipment is manufactured and sold for commercial use only.



GOLD MEDAL PRODUCTS COMPANY

10700 Medallion Drive

Cincinnati, Ohio 45241-4807 USA

www.gmpopcorn.com

Phone: 1-800-543-0862

Fax: 1-800-542-1496