

NOR-LAKE, INCORPORATED 800-955-5253  
 727 Second Street 715-386-2323  
 Hudson, Wisconsin 54016 866-961-5253 Parts  
 800-388-5253 Service  
 715-386-4291 FAX  
 www.norlake.com



## CURVED LID DISPLAY FREEZER



PROJECT: .....  
 ITEM NUMBER: .....  
 MODEL NUMBER: .....

### SPECIFICATIONS FOR: CTB31-6, CTB43-9, CTB52-12, CTB71-17

- **Finish:** Painted white powder coated steel interior and exterior
- **Doors:** Sliding glass doors - flat glass with one piece frame, lid locks with keys
- **Hardware:** (4) four casters, baskets and dividers, rubber bumper guards on grill side
- **Electrical:** 115/60/1 with cord and plug
- **Refrigeration:** Self-contained refrigeration system. Operating temperature: -18°F to +10°F. R290 Refrigerant.
- **Approvals:** ETL Safety (US and Canada), ETL Sanitation

### STANDARD FEATURES

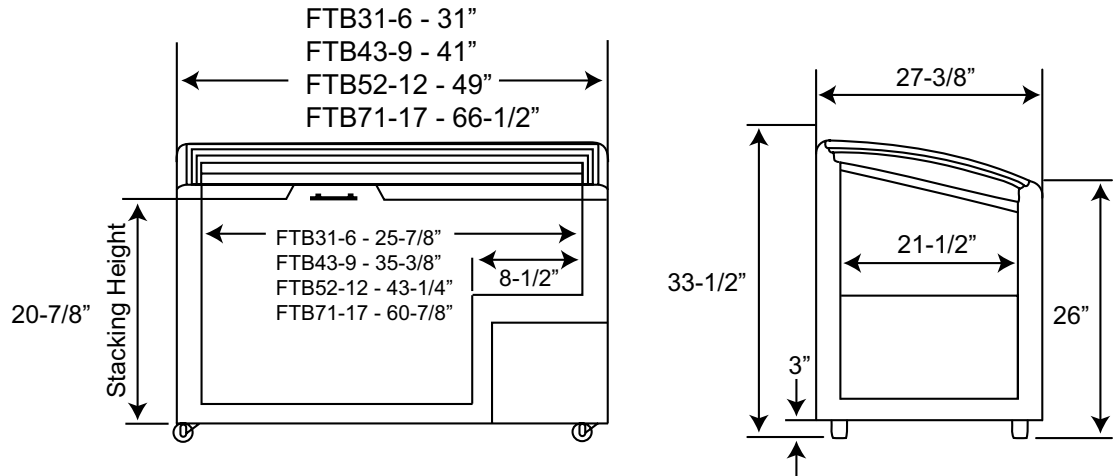
- Baskets and dividers
- Bottom drain with plug
- External analog thermometer display
- Interior LED lighting with separate on/off switch
- Lid lock and keys
- Operating temperature: -18°F to +10°F
- Power indicator light
- Rubber bumper guards on grill side
- Sliding glass doors
- White interior and exterior
- Warranties: 1 year parts and labor
- Approvals: ETL Safety (US and Canada), ETL Sanitation

### OPTIONAL FEATURES \*

- Basket dividers

\* Most options are available one week from receipt of order. Please contact us for specific questions.  
 \*\* ETL is Intertek Labs Safety Certification Mark which indicates that Intertek has tested the equipment to applicable CSA Standards.  
 \*\* ETL-Sanitation is Intertek Labs Sanitation Certification Mark which indicates that Intertek has tested the equipment to applicable NSF Standards.

**CURVED LID DISPLAY FREEZER**



### SPECIFICATIONS

<b>Models</b>	<b>CTB31-6</b>	<b>CTB43-9</b>	<b>CTB52-12</b>	<b>CTB71-17</b>
<i>Crated Weight (lbs) (kg)</i>	155 (70)	188 (85)	212 (95)	270 (122)
<i>Crated Height (in) (cm)</i>	40 (102)	40 (102)	40 (102)	40 (102)
<i>Crated Width (in) (cm)</i>	33 (84)	43 (109)	52 (132)	69-1/2 (177)
<i>Crated Depth (in) (cm)</i>	30-1/2 (77)	30-1/2 (77)	30-1/2 (77)	30-1/2 (77)
<i>Interior Height (in) (cm)</i>	21 (53)	21 (53)	21 (53)	21 (53)
<i>Interior Width (in) (cm)</i>	25-7/8 (66)	35-3/8 (90)	43-1/4 (110)	60-7/8 (155)
<i>Interior Depth (in) (cm)</i>	21-1/2 (55)	21-1/2 (55)	21-1/2 (55)	21-1/2 (55)
<i>Overall Height (in) (cm)</i>	33-1/2 (85)	33-1/2 (85)	33-1/2 (85)	33-1/2 (85)
<i>Overall Width (in) (cm)</i>	31 (79)	41 (104)	49 (125)	66-1/2 (169)
<i>Overall Depth (in) (cm)</i>	27-3/8 (70)	27-3/8 (70)	27-3/8 (70)	27-3/8 (70)
<i>Gross Cubage (CuFt) (L)</i>	8.3 (234.9)	11.5 (325.5)	14.5 (410.4)	20.5 (580.2)
<i>Number of Baskets*</i>	3	4	5	6
<i>Number of Casters</i>	4	4	4	4
<i>Condensing Unit Size</i>	1/3 HP	3/8 HP	3/8 HP	3/4 HP
<i>Refrigerant</i>	R290	R290	R290	R290
<i>Electrical Characteristics</i>	115/60/1	115/60/1	115/60/1	115/60/1
<i>Cord and Plug Furnished</i>	Yes	Yes	Yes	Yes
<i>NEMA Plug Configuration</i>	5-15P	5-15P	5-15P	5-15P
<i>Total Amp Draw</i>	1.0	1.2	1.5	2.8

*Specifications subject to change without notice.*

*\* includes 1 divider per basket*



**NORLAKE**<sup>®</sup>

Revision Date: 07/17  
 © 2016 NOR-LAKE, INC.  
 Printed in the U.S.A.  
 Part Number: 162835