

NOR-LAKE, INCORPORATED
727 Second Street
Hudson, Wisconsin 54016

800-955-5253
715-386-2323
866-961-5253 Parts
800-388-5253 Service
715-386-4291 FAX
www.norlake.com

NORLAKE®



STORAGE - DIPPING CABINETS



FF104

PROJECT:

ITEM NUMBER:

MODEL NUMBER:

STORAGE - DIPPING CABINETS

SPECIFICATIONS FOR: FF044, FF074, FF104, FF114, FF154, FF204, FF264

- **Exterior Finish:** 24 gauge painted textured galvanized white finish with seamless stainless steel top. Stainless steel "flap lids" with handles
- **Interior Finish:** Galvanized steel interior and interior liner with cold wall evaporator
- **Insulation:** 2-1/4" foamed-in-place "zero ODP" urethane insulation
- **Hardware:** Leveling legs to correct for unlevel flooring situations; Floor drain with garden hose fitting; anti-condensate door heaters under stainless top cap
- **Electrical:** 115 volt, 60HZ, 1 phase with cord and plug
- **Refrigeration:** Self-contained, factory tested refrigeration system. Force draft hermetic condensing unit. FF264 model has a semi-hermetic condensing unit. Temperature range: +10°F to -10°F (-12°C to -23°C)
- **Approvals:** UL and C-UL Sanitation ** (model FF264 is not C-UL listed)
NSF listed

STANDARD FEATURES

- Anti-condensate door heaters
- Galvanized steel interior and interior liner
- 24 gauge painted textured galvanized white finish exterior
- Seamless stainless steel top
- Stainless steel "flap" lids hinged with handles
- Warranties: 2 year parts and labor, 5 year compressor
- Approvals: UL & C-UL Sanitation**, NSF listed

OPTIONAL FEATURES*

- Additional lids
- Casters
- Dipper well
- Legs
- Lid locks (less lock)
- Load level shelves
- Stainless steel exterior finish (SVS)

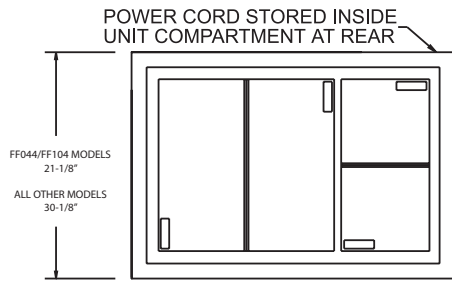


Nor-Lake, Inc.
Registered to ISO 9001:2008
File No. 10001816

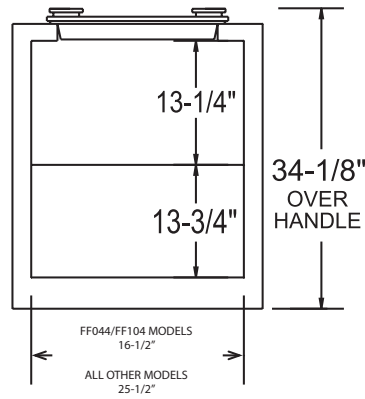
* Most options are available two weeks from receipt of order. Please contact us for specific questions.

** C-UL is Underwriters Laboratories Safety Certification Mark which indicates that UL has tested the equipment to applicable CSA Standards.

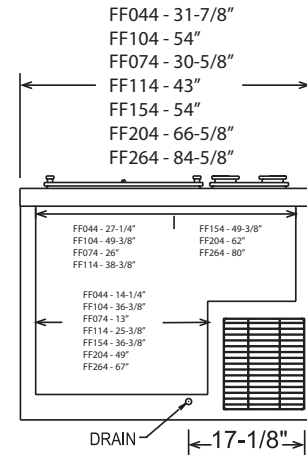
** UL Sanitation is Underwriters Laboratories Sanitation Mark which indicates that UL has tested the equipment to applicable NSF Standards.



TOP VIEW



SIDE VIEW



FRONT VIEW

SPECIFICATIONS

Models	FF044	FF074	FF104	FF114	FF154	FF204	FF264
Crated Weight (lbs) (kg)	195 (88)	220 (99)	280 (125)	275 (124)	365 (164)	430 (194)	490 (221)
Crated Height (in) (cm)	40 (102)	40 (102)	40 (102)	45 (114)	45 (114)	50 (127)	45 (114)
Crated Width (in) (cm)	36 (91)	45 (114)	60 (152)	60 (152)	70 (178)	80 (203)	104 (264)
Crated Depth (in) (cm)	24 (61)	40 (102)	24 (61)	40 (102)	40 (102)	40 (102)	40 (102)
Interior Height (in) (cm)	27 (68)	27 (68)	27 (68)	27 (68)	27 (68)	27 (68)	27 (68)
Interior Display Width (in) (cm)	27-1/4 (68)	26 (65)	49-3/8 (123)	38-3/8 (96)	49-3/8 (123)	62 (155)	80 (200)
Interior Storage Width (in) (cm)	14-1/4 (36)	13 (33)	36-3/8 (91)	25-3/8 (63)	36-3/8 (91)	49 (123)	67 (168)
Can Capacity Display*	3	5	6	8	11	14	18
Can Capacity Storage*	1	2	4	5	8	11	15
Interior Depth (in) (cm)	16-1/2 (41)	25-1/2 (64)	16-1/2 (41)	25-1/2 (64)	25-1/2 (64)	25-1/2 (64)	25-1/2 (64)
Overall Height (in) (cm)	34-1/8 (85)	34-1/8 (85)	34-1/8 (85)	34-1/8 (85)	34-1/8 (85)	34-1/8 (85)	34-1/8 (85)
Overall Width (in) (cm)	31-7/8 (80)	30-5/8 (77)	54 (135)	43 (108)	54 (135)	66-5/8 (167)	84-5/8 (212)
Overall Depth (in) (cm)	21-1/8 (53)	30-1/8 (75)	21-1/8 (53)	30-1/8 (75)	30-1/8 (75)	30-1/8 (75)	30-1/8 (75)
Gross Cubage (CuFt) (L)	5.2 (147)	7.6 (215)	11.0 (28)	12.5 (31)	17.3 (43)	22.0 (55)	29.1 (73)
Condensing Unit Size	1/4 HP	1/4 HP	1/4 HP	1/4 HP	1/3 HP	1/3 HP	1/3 HP**
Refrigerant	R-134a	R-134a	R-134a	R-134a	R-134a	R-134a	R-404a
Electrical Characteristics	115/60/1	115/60/1	115/60/1	115/60/1	115/60/1	115/60/1	115/60/1
Cord and Plug Furnished	Yes	Yes	Yes	Yes	Yes	Yes	Yes
NEMA Plug Configuration	5-15P	5-15P	5-15P	5-15P	5-15P	5-15P	5-15P
Total Amp Draw	5.7	5.7	5.7	5.7	7.3	7.3	7.5

Specifications subject to change without notice.

* Can capacities in 9-1/2", 3 gallon cans

** Semi-hermetic compressor



Revision Date: 04/17
 © 2013 NOR-LAKE, INC.
 Printed in the U.S.A.
 Part Number: 144102